

[54] **AUTONOMOUS DRONE MISSILE**

[75] **Inventors: Richard B. Holloway, Wichita;**
Merlin L. Millett, Jr., Sedgwick,
both of Kans.

[73] **Assignee: The Boeing Company, Seattle, Wash.**

[**] **Term: 14 Years**

[21] **Appl. No.: 343,566**

[22] **Filed: Jan. 28, 1982**

[52] **U.S. Cl. D22/11**

[58] **Field of Search D22/11, 17; D12/333,**
D12/319, 320, 331, 332; 244/75 R

[56] **References Cited**

U.S. PATENT DOCUMENTS

- D. 180,890 9/1957 Boyd D22/11
- D. 200,368 2/1965 Cohen et al. D12/333
- D. 203,902 2/1966 Raymes D12/333
- D. 213,146 1/1969 Barnett et al. D12/320 X

- D. 228,688 10/1973 Dryden D22/11 X
- D. 235,769 7/1975 Sather D22/11
- 3,761,041 9/1973 Putnam 244/75 R X

OTHER PUBLICATIONS

Interavia 2/1980, p. 123, OMAC 1 Aircraft in Photos at top and middle of page.

Primary Examiner—Alan P. Douglas
Attorney, Agent, or Firm—Edwin H. Crabtree

[57] **CLAIM**

The original design for an autonomous drone missile, as shown and described.

DESCRIPTION

FIG. 1 is a perspective view of an autonomous drone missile;

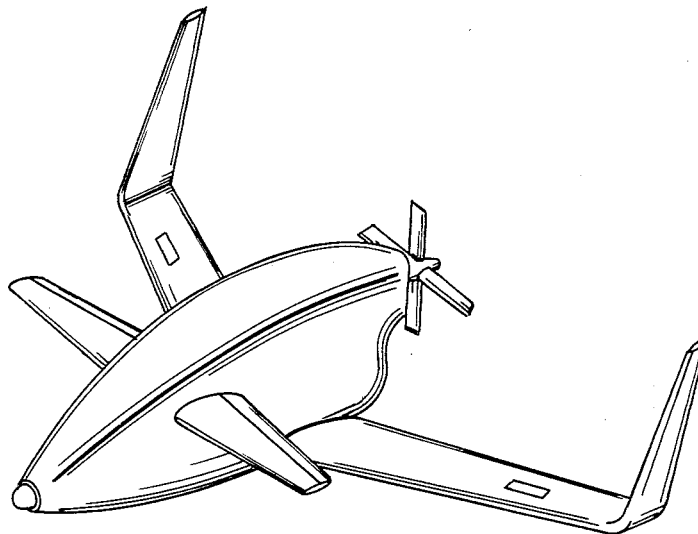
FIG. 2 is a side view of the missile;

FIG. 3 is a top view of the missile;

FIG. 4 is a bottom view of the missile;

FIG. 5 is a front view of the missile;

FIG. 6 is a rear view of the missile.



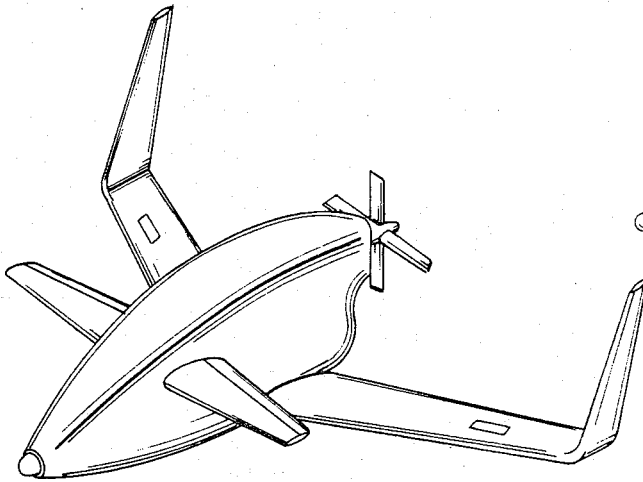


FIG. 1

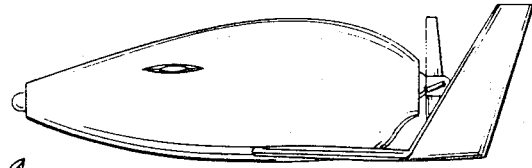


FIG. 2

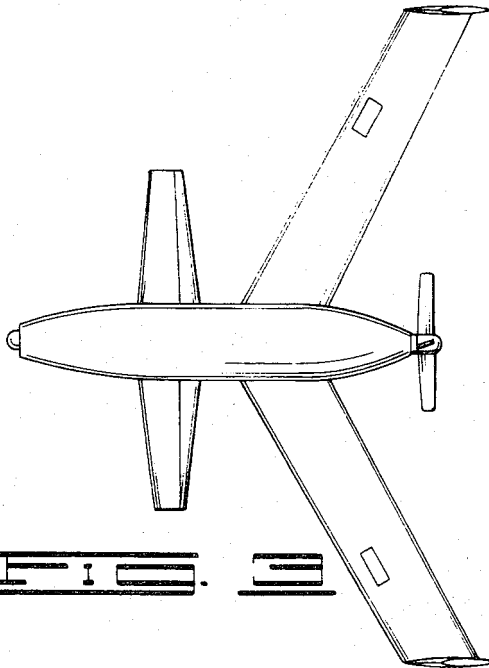


FIG. 3

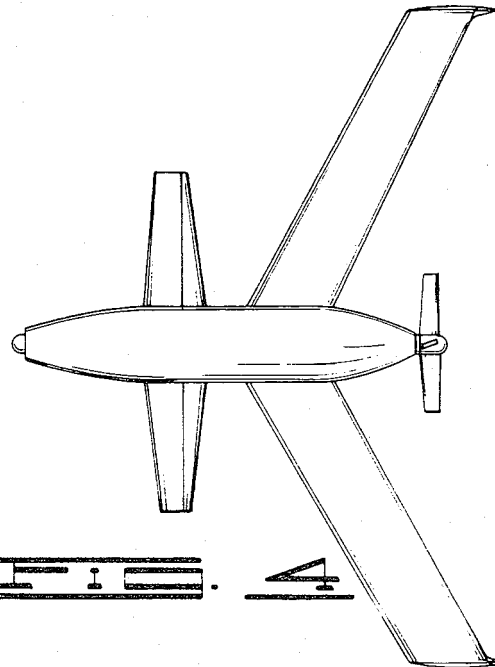


FIG. 4

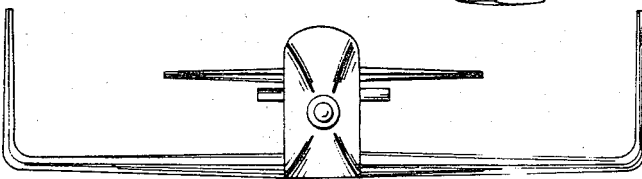


FIG. 5

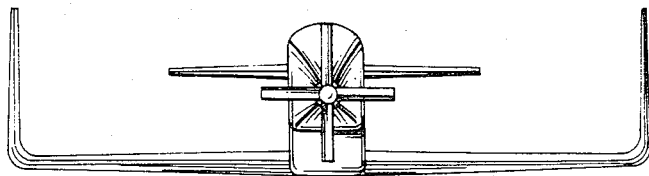


FIG. 6